

MOBILEGO

MOBILE FILTER UNIT WITH HOSE TUBE ARM

The MobileGo is a mobile welding fume filter with built-in fan and a hose tube arm (EconomyArm). It contains a disposable filter package.

Thanks to the four transport wheels (two of which are swivel casters with brake), the MobileGo is suitable for use in relatively small facilities or near sources of pollution without a fixed location.

The MobileGo is an entry level extractor. It has been designed for the consumption of approx. 1 coil of solid wire or 7,5 kg (16½ lbs) of electrodes per month and TIG welding.



APPLICATIONS

The MobileGo is intended to be used for the following applications:

- MIG-MAG/GMAW welding
- TIG welding
- FCAW welding
- stick/MMAW welding
- grinding
- polishing
- finishing



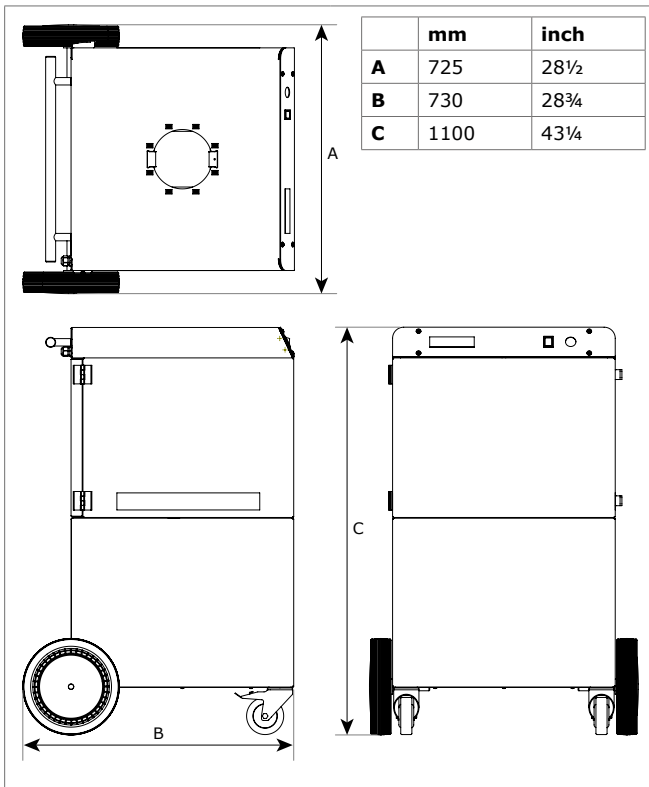
SPECIFICATIONS

| ■ Physical dimensions and properties | |
|---|--|
| Material (housing) | electro-zinc coated steel (according to DIN EN 10152) |
| <ul style="list-style-type: none"> • steel grade • steel grade no. | <ul style="list-style-type: none"> • DC01+ZE • 1.0330 |
| Colour | yellow RAL 1004 grey RAL 7011 |
| Weight (net), excl. arm | 84 kg (185 lbs) |
| Mains cord: | |
| <ul style="list-style-type: none"> • type • length | <ul style="list-style-type: none"> • 3G1.5 • 6 m (20 ft) |
| ■ Extraction arm | |
| Type | EconomyArm (EA) |
| Material | hose tube |
| Diameter | Ø 160 mm (6¼ in.) |
| Hood opening | Ø 300 mm (11¾ in.) |
| Length (nom.): | |
| <ul style="list-style-type: none"> • EA-2/S • EA-3/S | <ul style="list-style-type: none"> • 2 m (6½ ft) • 3 m (10 ft) |
| Weight: | |
| <ul style="list-style-type: none"> • EA-2/S • EA-3/S | <ul style="list-style-type: none"> • 11 kg (24¼ lbs) • 13 kg (28¾ lbs) |
| ■ Filters | |
| Pre filter (cassette): | |
| <ul style="list-style-type: none"> • material • filter surface • filter classification | <ul style="list-style-type: none"> • polyester • 1 m² (10¾ ft²) • ISO Coarse 70% according to ISO 16890 |
| <ul style="list-style-type: none"> • washable | <ul style="list-style-type: none"> • no |
| Main filter (cassette): | |
| <ul style="list-style-type: none"> • material • filter surface | <ul style="list-style-type: none"> • glass fibre • 15 m² (161 ft²) |

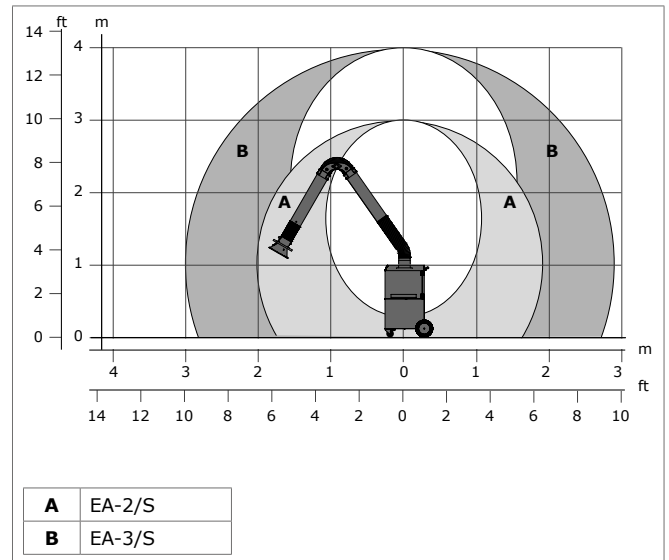
| <ul style="list-style-type: none"> • efficiency class | <ul style="list-style-type: none"> • E12 according to EN 1822-1:2009 |
|---|---|
| <ul style="list-style-type: none"> • washable | <ul style="list-style-type: none"> • no |
| ■ Welding fume class | |
| W3 | according to ISO 15012-1:2013 |
| ■ Performance | |
| Fan type | radial |
| Extraction capacity (incl. extraction arm) | max. 1000 m ³ /h (589 CFM) |
| Fan speed | 2800 rpm |
| Noise level (according to ISO 3746) | 67 dB(A) |
| ■ Electrical data | |
| Power consumption | 1,1 kW (1½ HP) |
| Available connection voltages | <ul style="list-style-type: none"> • 115V/1ph/50Hz (115) • 230V/1ph/50Hz (215) |
| Motor design | IEC |
| Energy efficiency | <i>n.a. for single phase motors</i> |
| Plug: | Type: |
| <ul style="list-style-type: none"> • 115V/1ph/50Hz • 230V/1ph/50Hz | <ul style="list-style-type: none"> • none • F |
| ■ Ambient and process conditions | |
| Process temperature: | |
| <ul style="list-style-type: none"> • min. • nom. • max. | <ul style="list-style-type: none"> • 5°C (41°F) • 20°C (68°F) • 70°C (158°F) |
| Max. relative humidity | 90% |
| Suitable for outdoor use | no |
| Storage conditions | <ul style="list-style-type: none"> • 5-45°C (41-113°F) • relative humidity max. 80% |
| ■ Options and accessories | |
| MobileGo-AC/2m (215) | MobileGo with an activated carbon filter instead of a HEPA filter |
| MobileGo-AC/3m (215) | |
| ■ Scope of supply | |
| Mobile filter unit – Extraction arm (pre-assembled; excl. hose tube) – Hose tube – Hose clamp (2) – Rotating flange – Arm swivel ring, incl. rubber collar – Extraction hood – Hood collar with safety mesh – Mounting material | |

| Type | MobileGo/2m | | MobileGo/3m | |
|-----------------------------------|---|---------------|--|---------------|
| Connection voltage | 115V/1ph/50Hz | 230V/1ph/50Hz | 115V/1ph/50Hz | 230V/1ph/50Hz |
| ■ Order information | | | | |
| Article no. | 0000111450 | 0000111449 | 0000111471 | 0000111470 |
| • MobileGo-AC | | 0000112350 | | 0000112353 |
| Number/package | 1 | 1 | 1 | 1 |
| ■ Logistics data | | | | |
| Gross weight (incl. pallet) | 101 kg (223 lbs) | | 103 kg (227 lbs) | |
| Packing dimensions (incl. pallet) | 800 x 1200 x 1650 mm (31½ x 47¼ x 65 in.) | | 800 x 1200 x 2250 mm (31½ x 47¼ x 88½ in.) | |
| Max. number/pallet | 1 | | 1 | |
| Harmonized Tariff Code | 84213925 | | 84213925 | |

DIMENSIONS



WORKING RANGE



FEATURES & BENEFITS





Compact design



Simple control | Service indicator (buzzer) monitors the airflow

APPROVALS/CERTIFICATES

| | |
|---|--|
|  | |
|  | Directive 2011/65/EC (RoHS) valid as of 8 June 2011 |



Application restrictions

Do **not** use the product for the following applications or in the following circumstances: polishing applications in combination with grinding, welding or any other application that generate sparks (fibres from polishing or abrasive flap disks are highly flammable and pose a high risk of filter fires when exposed to sparks) | aluminium laser cutting | oil mist | heavy oil mist in welding fume | arc-air gouging | extraction of aggressive fumes and gases (e.g. from acids, from alkaline, from soldering paste containing lithium) | extraction of hot gases (more than 70°C/158°F continuously) | grinding aluminum and magnesium | flame spraying | extraction of cement, saw dust, wood dust etc. | sucking cigarettes, cigars, oiled tissues and other burning particles, objects and acids | explosive environments or explosive substances/gases

| | |
|------------------|-----------------------------------|
| Product type | MobileGo |
| Article no. | <i>refer to Order information</i> |
| Product category | mobile filter units |
| Version | 090223/G |

Always check the latest version on www.plymovent.com